

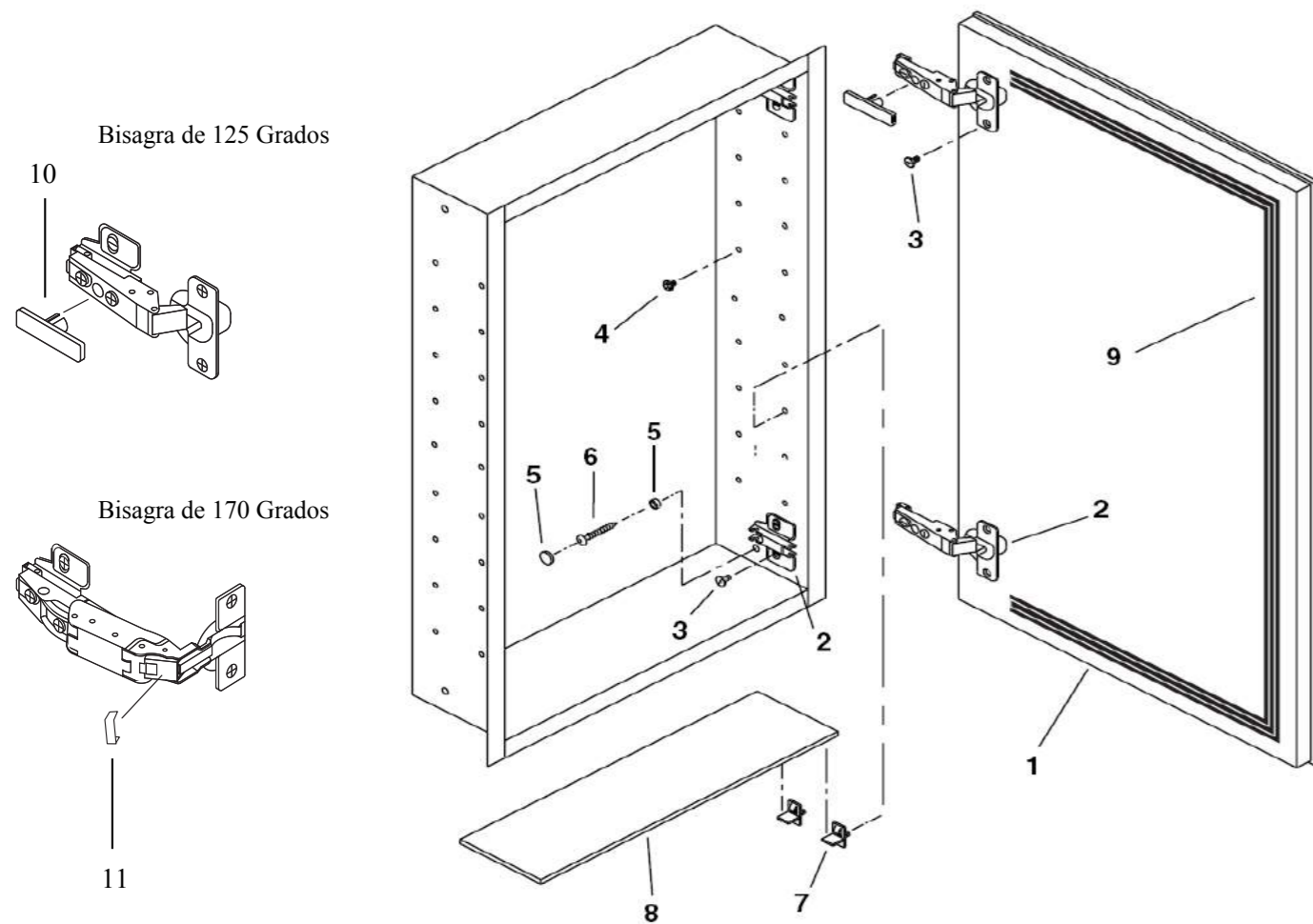
NuTone®

For help, call us
toll free!
1-888-336-3948

MODEL:
72WH244, 72WH244D
72WH246, 72WH246D
72WH244F, 72SS244DF
72WH246F, 72SS246DF
72SS244D, 72WH244DF
72SS246D, 72WH246DF
72SS304D, 72SS304DF
72WH304D, 72WH304DF

RECESSED MOUNTED, STEEL BATH CABINETS

MODEL NO.	WALL OPENING			OVERALL SIZE		
	W	H	D	W	H	D
72WH244	14 1/4	24	4	15	25	5
72WH246	14 1/4	24	6	15	25	7
72WH244F	14 1/4	24	4	15	25	5
72WH246F	14 1/4	24	6	15	25	7
72SS244D	14 1/4	24	4	15	25	5
72SS246D	14 1/4	24	6	15	25	7
72WH244D	14 1/4	24	4	15	25	5
72WH246D	14 1/4	24	6	15	25	7
72SS244DF	14 1/4	24	4	15	25	5
72SS246DF	14 1/4	24	6	15	25	7
72WH244DF	14 1/4	24	4	15	25	5
72WH246DF	14 1/4	24	6	15	25	7
72SS304D	23 1/4	29	4	24	30	5
72SS304DF	23 1/4	29	4	24	30	5
72WH304D	23 1/4	29	4	24	30	5
72WH304DF	23 1/4	29	4	24	30	5



INSTALLATION of CABINET

- Carefully remove all packing material. Place hardware packages, shelves and door aside until needed.
- Determine desired location of cabinet on wall. Mark wall to show wall opening size (see dimension chart). Generally, the recommended height to the center of the cabinet is 64" from the floor. (Fig. 1)
- CAUTION:** Wall studs, plumbing or electrical lines that interfere must be removed or relocated. Cut wall opening, being careful not to damage the surrounding wall surface. Insert framing to support all plaster board edges.
- Prepare the mounting screws by placing the screws into the clear plastic bases. (Fig. 2)
- Note: For ease of installation, an additional person is recommended. Insert cabinet into wall opening. (Fig. 3) Ensure the cabinet is plumb and level. If necessary use a carpenter's level and shim corners of cabinet. Secure the wall studs through the four (4) mounting holes inside cabinet, using the screws that have been placed into the plastic bases. (Fig. 4) Do not over tighten the mounting screws as the body side wall may bend and prevent proper shelf installation. Only tighten until they are flush with the body.
- Snap the screw covers over the screw bases. (Fig. 5)

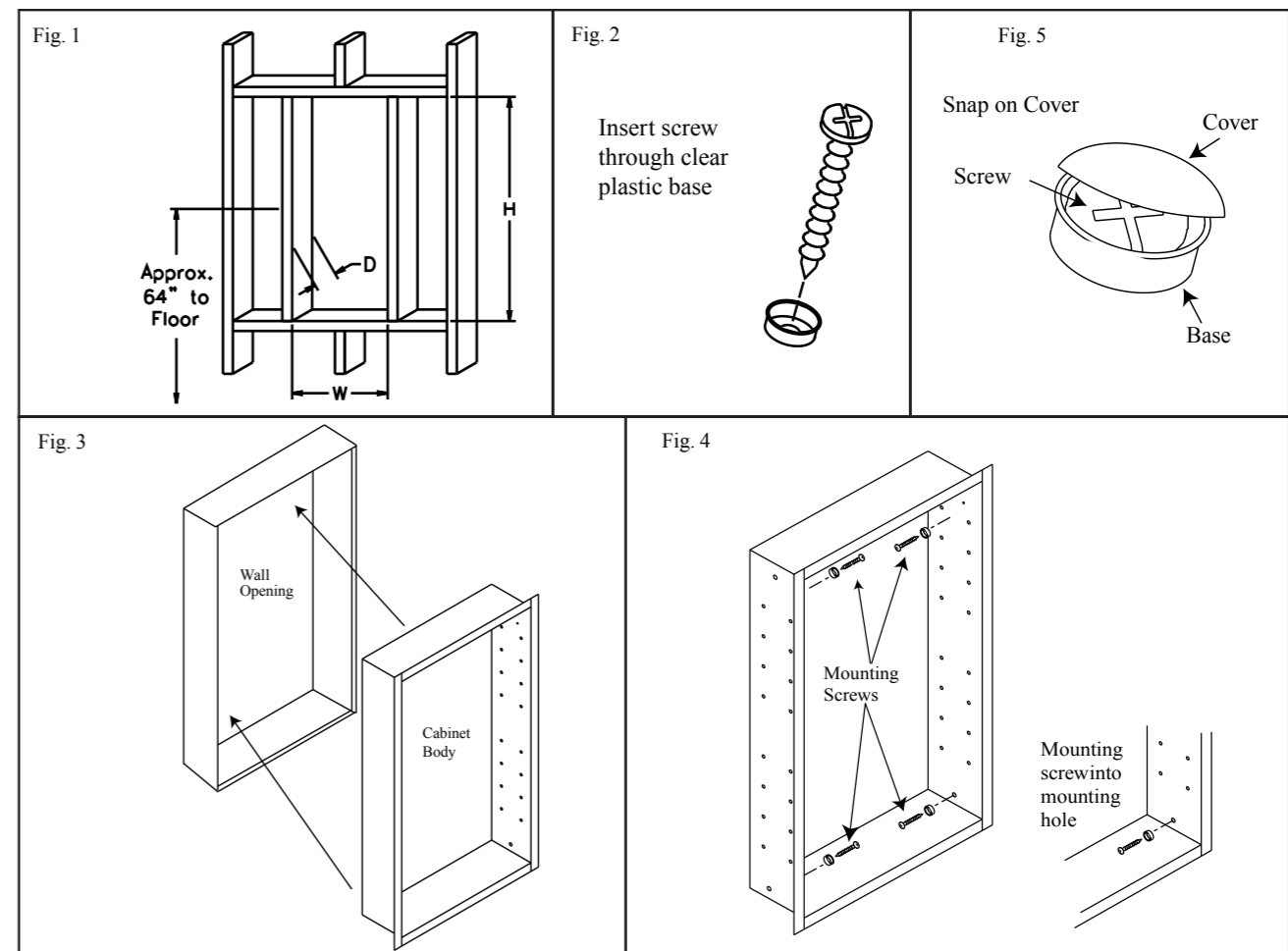
PIEZAS DE SERVICIO

Key No.	Descripcion	72WH244	72WH244F	72WH244D	72WH244DF	72WH246D	72WH246DF	72SS244D
1	Ensamblaje De la Puerta	JRPWH24	JRPWH24F	JRPWH24D	JRPWH24DF	JRPWH24D	JRPWH24DF	JRPBK24D
2	Montaje de bisagra	JRP587	JRP587	JRP586D	JRP586D	JRP586D	JRP586D	JRP586D
3	Tornillo, bisagra	10-163-01	10-163-01	10-163-01	10-163-01	10-163-01	10-163-01	10-163-01
4	Tapones	29-826-01	29-826-01	29-826-01	29-826-01	29-826-01	29-826-01	29-826-02
5	Cubierta del tornillo	29-827-01	29-827-01	29-827-01	29-827-01	29-827-01	29-827-01	29-827-02
6	Tornillo de montaje #8 x 1 1/2*	*	*	*	*	*	*	*
7	Soporte de estante	29-842-01	29-842-01	29-842-01	29-842-01	29-842-01	29-842-01	29-842-02
8	Estante de vidrio	J3116801	J3116801	J3116801	J3116801	J3117101	J3117101	J3116801
9	Tira de Topes	111-695-01	111-695-01	111-695-01	111-695-01	111-695-01	111-695-01	111-695-01
10	Cubierta De la Bisagra (125 grados)	42-596-01	42-596-01	none	none	none	none	none
11	El Sujetador negro (170 grados)	none	none	42-594-01	42-594-01	42-594-01	42-594-01	42-594-01
	Bolsa de Accesorios	J2620501	J2620501	J2620501	J2620501	J2620501	J2620501	J2620502

Key No.	Descripcion	72SS244DF	72SS246D	72SS246DF	72SS304D	72SS304DF	72WH304D	72WH304DF
1	Ensamblaje De la Puerta	JRPBK24DF	JRPBK24D	JRPBK24DF	J10767603BK	J10767604BK	J10767603BK	J10767604BK
2	Montaje de bisagra	JRP586D	JRP586D	JRP586D	JRP587	JRP587	JRP587	JRP587
3	Tornillo, bisagra	10-163-01	10-163-01	10-163-01	10-163-01	10-163-01	10-163-01	10-163-01
4	Tapones	29-826-02	29-826-02	29-826-02	29-826-02	29-826-02	29-826-01	29-826-01
5	Cubierta del tornillo	29-827-02	29-827-02	29-827-02	29-827-02	29-827-02	29-827-01	29-827-01
6	Tornillo de montaje #8 x 1 1/2*	*	*	*	*	*	*	*
7	Soporte de estante	29-842-02	29-842-02	29-842-02	29-842-02	29-842-02	29-842-01	29-842-01
8	Estante de vidrio	J3116801	J3117101	J3117101	J3119901	J3119901	J3119901	J3119901
9	Tira de Topes	111-695-01	111-695-01	111-695-01	111-695-04	111-695-04	111-695-04	111-695-04
10	Cubierta De la Bisagra (125 grados)	none	none	none	42-586-01	42-586-01	42-586-01	42-586-01
11	El Sujetador negro (170 grados)	42-594-01	42-594-01	42-594-01	none	none	none	none
	Bolsa de Accesorios	J2620502	J2620502	J2620502	J2620502	J2620502	J2620501	J2620501

* Ferreteria estandar - puede ser comprado localmente.

Pida los piezas de reemplazo por "NUMERO de PIEZA" - No por el "NUMERO DOMINANTE"



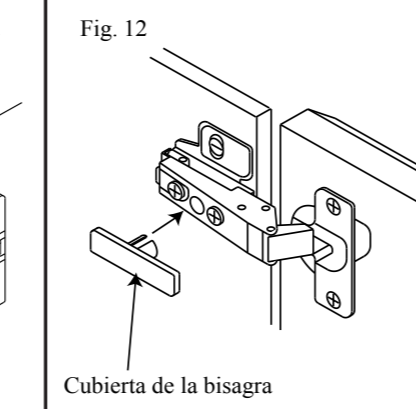
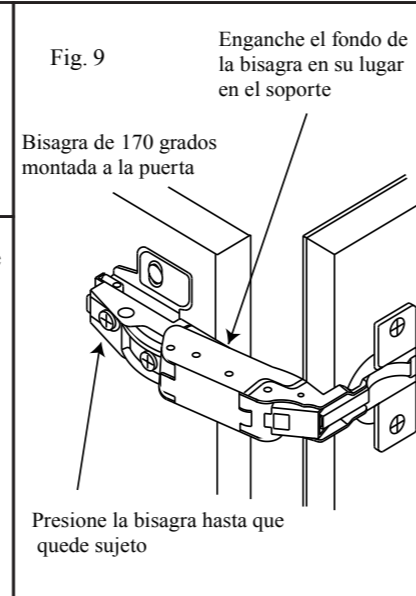
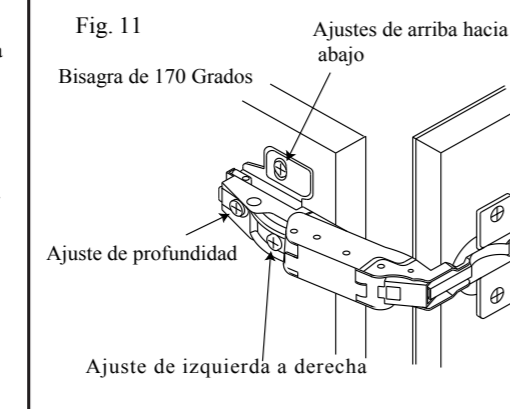
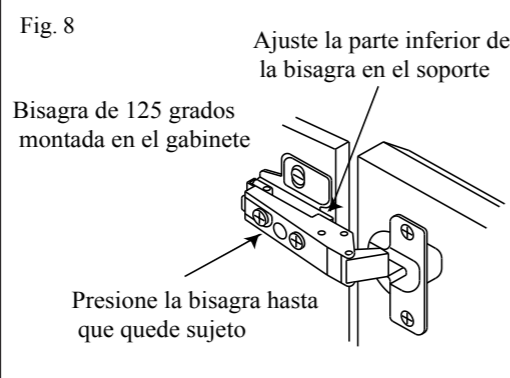
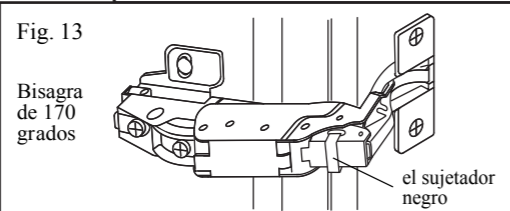
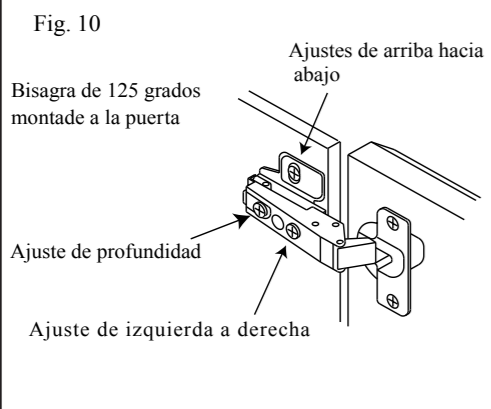
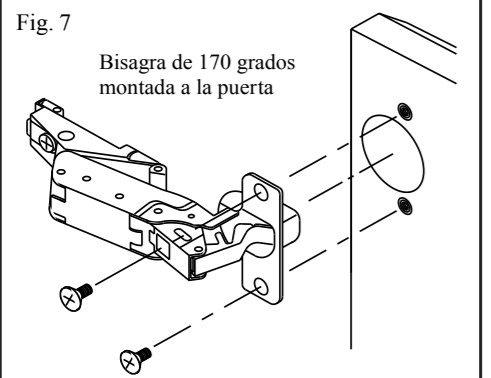
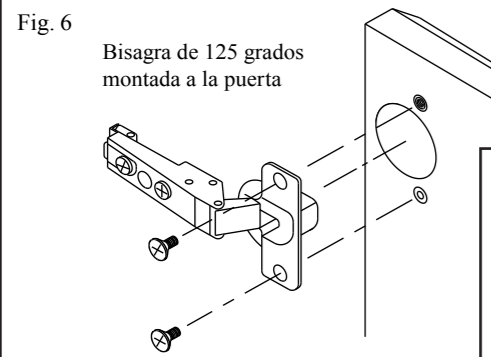
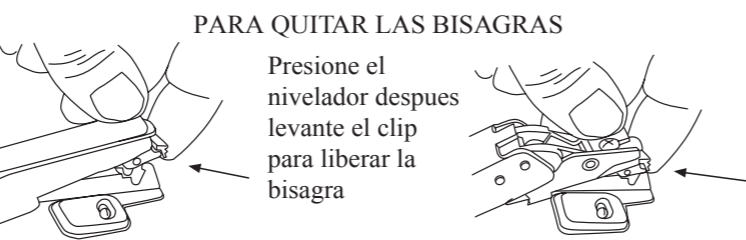
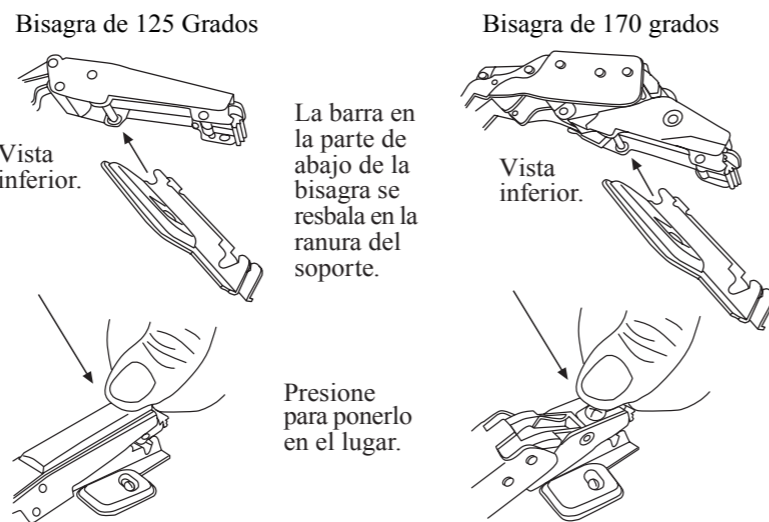
ATENCIÓN INSTALADORES:

De no apretar los tornillos de mas en la visagra , porfavor de aserlo manual mente con un desarmadorde crus hasta que usted piense que esta seguro. Si usted husa un taladro sin cable apliquelo en el numero #5. Apretandolos tornillos demasiado apretado podra safarse el tornillo de abajo.

INSTALACION de PUERTAS

1. Saque las bisagras y tornillos de la bolsa. Monte la bisagra en la puerta de acuerdo a la Fig. 6 y Fig 7. Usando los tornillos proporcionados.
2. Instale la puerta metiendo el lado de la puerta de la bisagra dentro del soporte de acuerdo con lo demostrado.
 - A) Bisagra de 125 grados. Meta el lado de la puerta de la bisagra segun la Fig. 8
 - B) Bisagra de 170 grados. Meta el lado de la puerta de la bisagra segun la Fig. 9
3. Asegurese que la alineacion sea adecuada. Si la puerta necesita un ajuste, por favor vea la Fig. 10 y 11 para los procedimientos. Los bordes de la puerta deben de alinear con la caratula del gabinete.
4. Bisagra de 125 grados solamente: Ponga y presione la cubierta de la bisagra. (Fig. 12)
5. Bisagra de 170 grados solamente: Abroche el sujetador negro. . (Fig. 13)

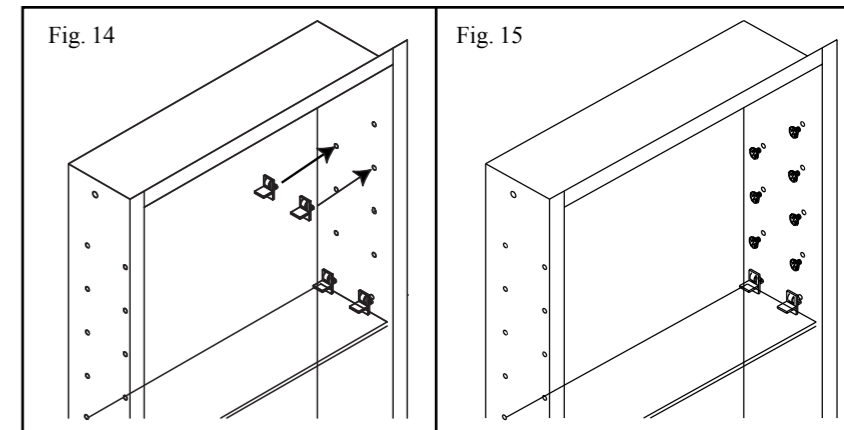
FAMILIARICEZE CON LA BISAGRA ANTES DE MONTARLA.



INSTALLATION of SHELVES, HOLE PLUGS AND BUMPERS

Note: Carefully review the shelf location desired. The hole plugs are difficult to remove once inserted so it is important to locate the shelves in the proper location before the hole plugs are installed.

1. Select where you want the shelves to be placed.
2. Insert two (2) shelf brackets at each end of the shelf location. (Fig. 14)
3. Set shelves in place on the shelf brackets, pressing down on shelf to lock in place. (Fig. 14)
4. Remove hole plugs from hardware bag and place in remaining holes. (Fig. 15)



Product Registration

- To register this product, visit www.nutone.com

MIRROR CARE

- Use only clean warm water and a clean, soft, lint-free cloth.
- DO NOT USE cleaners that contain solutions of ammonia, vinegar, or chlorine.
- DO NOT USE powdered cleansers or steel wool.
- Never spray cleaning agent directly on mirror especially on exposed edges and mirror backing. Apply cleaner to soft cloth and wipe mirror. Dry mirror thoroughly.
- Keep mirror dry. A well ventilated bath room is important.

BROAN-NUTONE ONE YEAR LIMITED WARRANTY

Broan-NuTone warrants to the original consumer purchaser of its product that such products will be free from defects in materials or workmanship for a period of one year from the date of original purchase. THERE ARE NO OTHER WARRANTIES, EXPRESS OR IMPLIED, INCLUDING, BUT NOT LIMITED TO, IMPLIED WARRANTIES OF MERCHANTABILITY OR FITNESS FOR A PARTICULAR PURPOSE. During this one-year period, Broan-NuTone will, at its option, repair or replace, without charge, any product or part which is found to be defective under normal use and service. THIS WARRANTY DOES NOT EXTEND TO FLUORESCENT LAMP STARTERS AND TUBES. This warranty does not cover (a) normal maintenance and service or (b) any product or parts which have been subject to misuse, negligence, accident, improper maintenance or repair (other than by Broan-NuTone), faulty installation or installation contrary to recommended installation instructions.

The duration of any implied warranty is limited to the one-year period as specified for the express warranty. Some states do not allow limitation on how long an implied warranty lasts, so the above limitation may not apply to you. BROAN-NUTONE'S OBLIGATION TO REPAIR OR REPLACE, AT BROAN-NUTONE'S OPTION, SHALL BE THE PURCHASER'S SOLE AND EXCLUSIVE REMEDY UNDER THIS WARRANTY. BROAN-NUTONE SHALL NOT BE LIABLE FOR INCIDENTAL, CONSEQUENTIAL OR SPECIAL DAMAGES ARISING OUT OF OR IN CONNECTION WITH PRODUCT USE OR PERFORMANCE.

Some states do not allow the exclusion or limitation of incidental or consequential damages, so the above limitation or exclusion may not apply to you. This warranty gives you specific legal rights, and you may also have other rights, which vary from state to state. This warranty supersedes all prior warranties.

To qualify for warranty service, you must (a) notify Broan-NuTone at the address or telephone number stated below, (b) give the model number and part identification and (c) describe the nature of any defect in the product or part. At all time of requesting warranty service, you must present evidence of the original purchase date.

Broan-NuTone LLC, 926 West State Street, Hartford, WI 53027 (1-888-336-3948)

